

# VENTO MODEL 2500 AVS

## VENTO MODEL 2500 AVS SPRING LOADED VACUUM VALVE (SIDE MOUNT)



Main purpose of **Vento Model 2500 Vacuum Relief Valves** is to provide protection against tearing and deformation by emptying the product in storage tanks and allowing the tank to breathe when “**VACUUM**” occurs due to changes in temperature due to climatic conditions.

When the valves reach the set vacuum values, the valve will open and after the vacuum is regulated, the valve will sit on the site and provide a tight seal.

Vento model 2500 series valves are produced as weight loaded or spring loaded.

### FEATURES:

- Minimizes product loss due to environmental emissions and evaporation
- Protects tanks from damage and deformation.
- Reduces atmospheric corrosion of the tank.
- Provides high flow capacity.
- Replaceable vacuum sites.
- Easily removable caps and lids for inspection and maintenance.
- Zero product loss when combined with a steam recovery system.
- All internal parts are **AISI 316 SS**.
- All products are factory tested and certified.
- Easy to carry with lightweight design.
- Service and tests are available on request.

### TECHNICAL SPECIFICATIONS:

- Sizes** : 50 mm (2”) – 300 mm (12”)  
**Materials** : Aluminum Carbon Steel / Stainless Steel  
**Flange** : ANSI – DIN  
**Inner Material:** AISI 316 SS  
**Diaphragm.** : PTFE – VITON – NEOPREN  
**Certificate.** : CE / ATEX  
**EN ISO 80079-36 : 2016**  
**EN ISO 80079-37 : 2016**  
**Directive 2014/34/EU**

### WEIGHT TYPE

**VACUUM:** -2.5 mbar / -50 mbar

### SPRING TYPE

**VACUUM:** -50 mbar / -500 mbar

**TEL:** +90 216 361 65 18

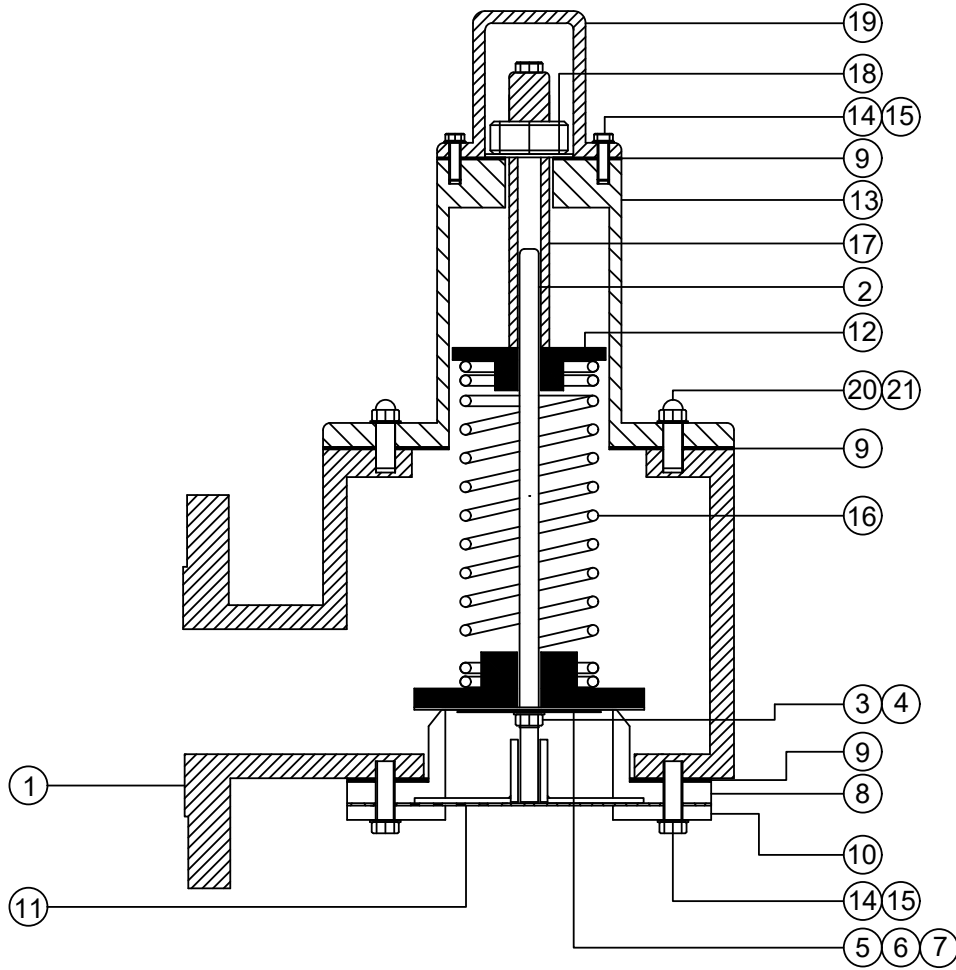
**EMAIL:** [vento@vento.com.tr](mailto:vento@vento.com.tr)



# VENTO MODEL 2500 AVS

VENTO MODEL 2500 AVS SPRING LOADED VACUUM VALVE (SIDE MOUNT)

## VENTO MODEL 2500 AVS



### STANDARD MATERIALS OF CONSTRUCTION

ITEM	DESCRIPTION	PART LIST 1	PART LIST 2
1	BODY	CARBON STEEL	AISI 316
2	VACUUM STEM	AISI 316	AISI 316
3	WASHER	AISI 304	AISI 304
4	HEXAGONAL NUT	AISI 304	AISI 304
5	PALLET	AISI 316	AISI 316
6	DIAPHRAGM	NEOPREN	VITON
7	DEFLECTOR	AISI 316	AISI 316
8	VACUUM SEAT	AISI 316	AISI 316
9	GASKET	TEFLON	TEFLON
10	VACUUM SCREEN RING	AL GR 356 T6	CARBON STEEL
11	VACUUM SCREEN	AISI 316	AISI 316
12	SPRING PALLET	AISI 316	AISI 316
13	COVER	CARBON STEEL	AISI 316
14	WASHER	AISI 304	AISI 304
15	STUD BOLT	AISI 304	AISI 304
16	SPRING	AISI 316	AISI 316
17	ADJUSTABLE SHAFT	AISI 316	AISI 316
18	NUT	AISI 304	AISI 304
19	BONNET CAP	AL GR 356 T6	CARBON STEEL
20	WASHER	AISI 304	AISI 304
21	HEXAGON DOME NUT	AISI 304	AISI 304

TEL: +90 216 361 65 18

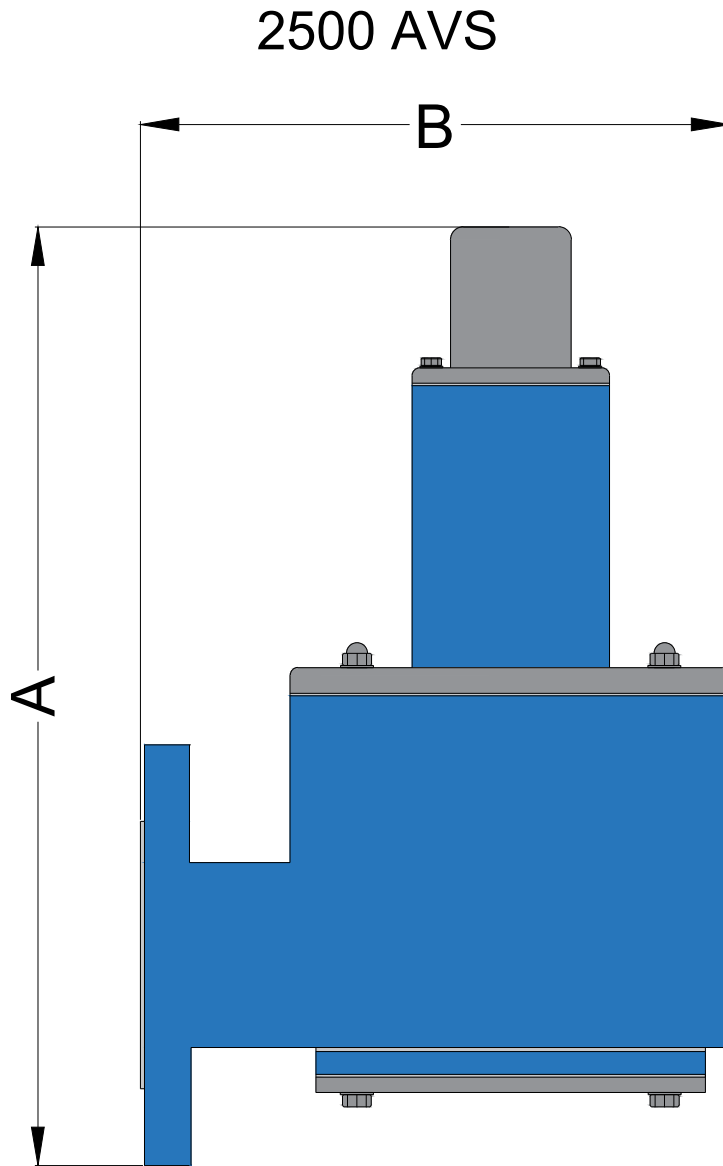
EMAIL: [vento@vento.com.tr](mailto:vento@vento.com.tr)



**VENTO PV**  
ENDÜSTRİYEL VALF SAN. ve  
TİCARET LTD. ŞTİ.

# VENTO MODEL 2500 AVS

VENTO MODEL 2500 AVS SPRING LOADED VACUUM VALVE (SIDE MOUNT)



## DIMENSIONS

INCHES	DN	A	B
2	50	330	240
3	80	420	290
4	100	450	340
6	150	550	400
8	200	650	550
10	250	800	700
12	300	1000	840

TEL: +90 216 361 65 18

EMAIL: [vento@vento.com.tr](mailto:vento@vento.com.tr)