

# VENTO MODEL 3000

## VENTO MODEL 3000 IN-LINE FLAME ARRESTER (VERTICAL)



All flame arresters have the same working principle. The aim is to remove heat from the flame as it passes through the corrugated metal strip layers of the flame and to allow gas to pass through the flame extinguishing. Flame arresters are passive devices without moving parts and protect systems from the potentially disastrous effects of an explosion.

Flame arresters are manufactured differently according to installation, working conditions and explosion groups (**MESC/** Maximum Experimental Safe Clearance).

Flame arresters are used in various applications such as oil, gas, petrochemicals, pharmaceuticals, biofuels and treatment plants.

(**ATEX**) Our approved products are produced in our country and tested and approved in accordance with European Standard

**EN ISO 16852: 2016,**  
**DIRECTIVE 2014/34/EU.**

### FEATURES:

Vento model 3000 series in-line flame arresters are designed to prevent the spread of flames in piping systems. By placing the flame arrester near the source of possible ignition, any flame or explosion is limited in that area and the line is secured.

- Maximum operating temperature **+60 ° C**
- Easy to clean, replaceable curved strip elements
- Exceptional flow capacities with minimum pressure drop
- Sizes and materials to suit a wide range of applications
- Flanged and threaded options
- Ease of installation and lightweight
- Standard protection wires
- Easy maintenance

### TECHNICAL SPECIFICATIONS:

**Sizes** : 50 mm (2") - 300 mm (12")

**Material** : Aluminum - Carbon Steel - Stainless Steel

**Flang** : ANSI/ DIN

**Flame Arrester: Standard AISI 316 L Crimped Ribbon**

TEL: +90 216 361 65 18

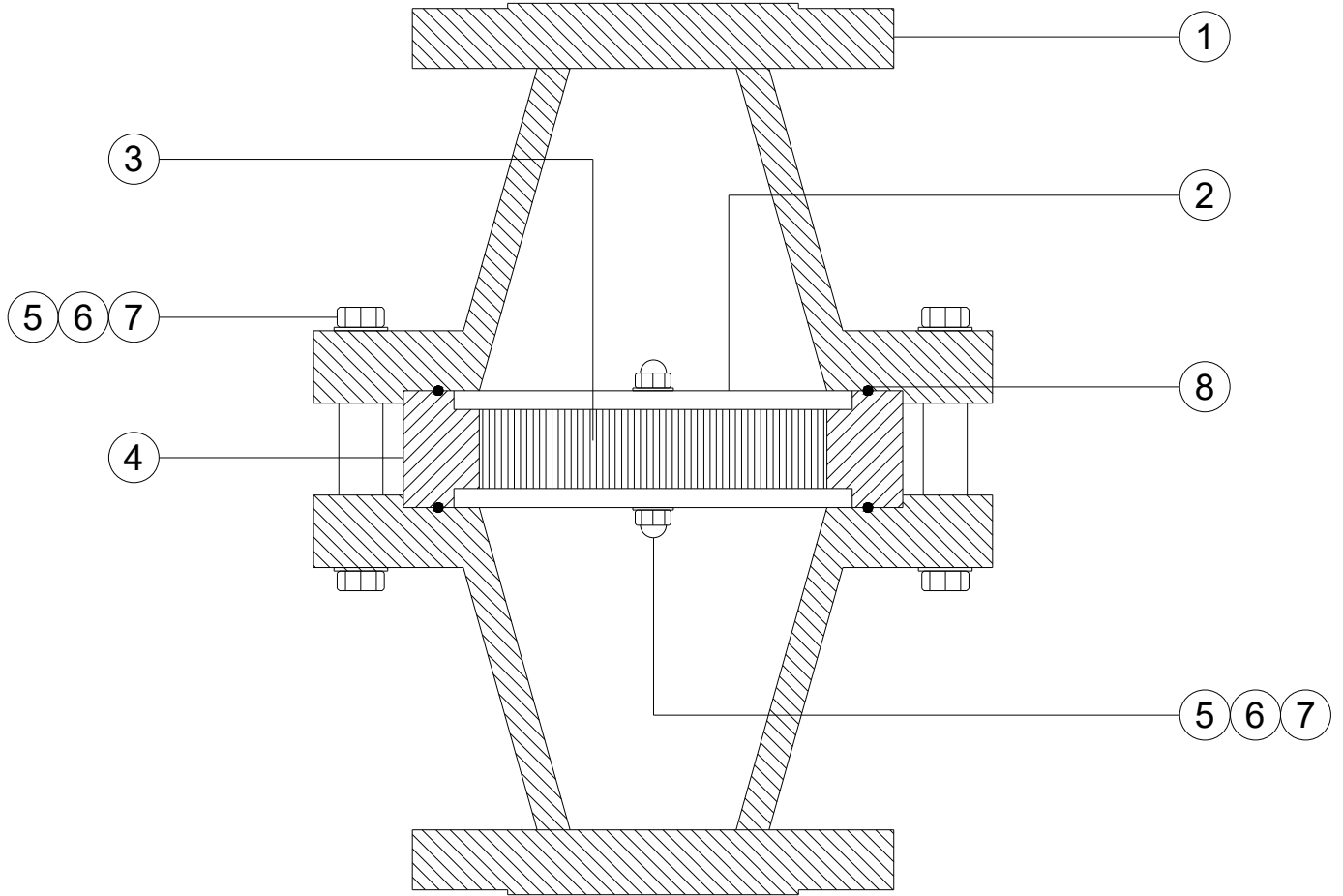
EMAIL: [vento@vento.com.tr](mailto:vento@vento.com.tr)

**VENTO PV**  
ENDÜSTRİYEL VALF SAN. ve  
TİCARET LTD. ŞTİ.

# VENTO MODEL 3000

## VENTO MODEL 3000 IN-LINE FLAME ARRESTER (VERTICAL)

### VENTO MODEL 3000



#### STANDARD MATERIALS OF CONSTRUCTION

ITEM	DESCRIPTION	PART LIST
1	BODY	AL-CS-304-316
2	FLAME ARRESTER RING	AISI 316
3	FLAME ARRESTER	AISI 316 L
4	FLAME ARRESTER HOUSING	AL-CS-SS
5	BOLT	AISI 304
6	WASHER	AISI 304
7	NUT	AISI 304
8	ORING	NEOPREN/VITON

TEL: +90 216 361 65 18

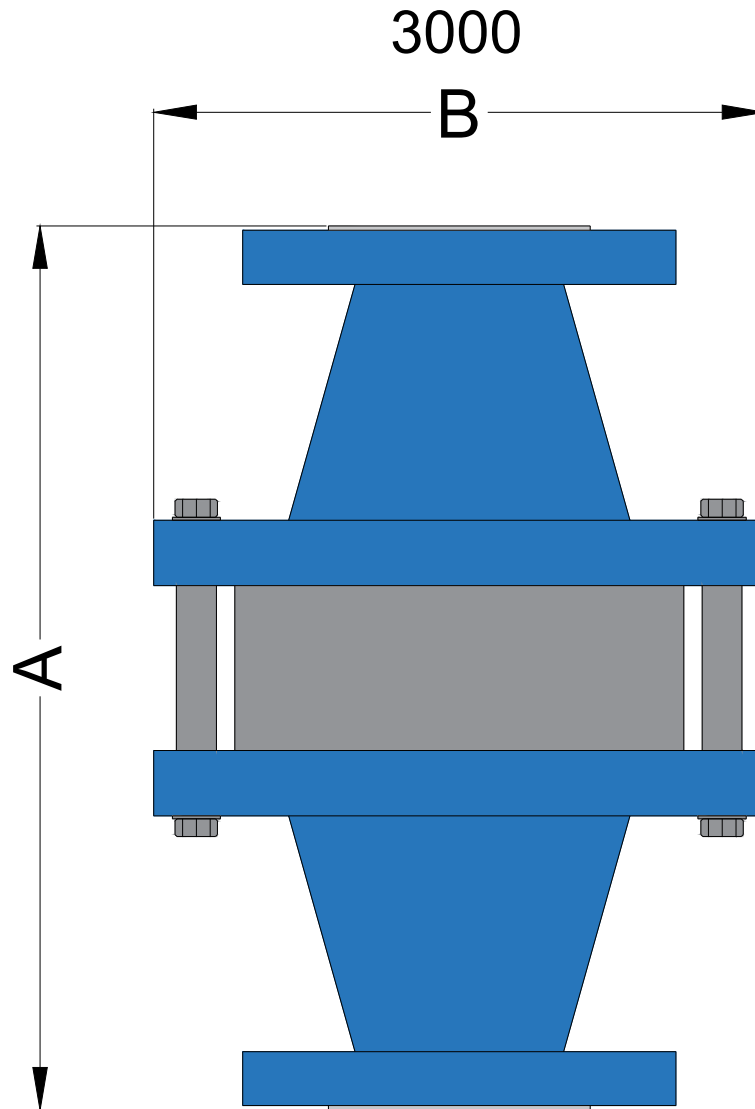
EMAIL: [vento@vento.com.tr](mailto:vento@vento.com.tr)



**VENTO PV**  
ENDÜSTRİYEL VALF SAN. ve  
TİCARET LTD. ŞTİ.

# VENTO MODEL 3000

## VENTO MODEL 3000 IN-LINE FLAME ARRESTER (VERTICAL)



### DIMENSIONS

INCHES	DN	A	B
2	50	290	215
3	80	340	280
4	100	390	330
6	150	545	450
8	200	630	560
10	250	680	670
12	300	700	780

TEL: +90 216 361 65 18

EMAIL: [vento@vento.com.tr](mailto:vento@vento.com.tr)



**VENTO PV**  
ENDÜSTRİYEL VALF SAN. ve  
TİCARET LTD. ŞTİ.