

VENTO MODEL 3100

VENTO MODEL 3100 END-OF-LINE FLAME ARRESTER



All flame arresters have the same working principle. The aim is to remove heat from the flame as it passes through the corrugated metal strip layers of the flame and to allow gas to pass through the flame extinguishing. Flame arresters are passive devices without moving parts and protect systems from the potentially disastrous effects of an explosion.

Flame arresters are manufactured differently according to installation, working conditions and explosion groups (MESC/ Maximum Experimental Safe Clearance).

Flame arresters are used in various applications such as oil, gas, petrochemicals, pharmaceuticals, biofuels and treatment plants.

(ATEX) Our approved products are produced in our country and tested and approved in accordance with European Standard

**EN ISO 16852: 2016,
DIRECTIVE 2014/34/EU.**

FEATURES:

Vento model 3100 series end-of-line flame arresters are installed at the end of a pipeline to prevent the flame flowing through the pipe from entering the atmosphere or entering the system from the outside (atmosphere), and the flame is damped and released as gas passes through the specially designed structure.

- Maximum operating temperature **+60 ° C**
- Easy to clean, replaceable curved strip elements
- Exceptional flow capacities with minimum pressure drop
- Sizes and materials to suit a wide range of applications
- Flanged and threaded options
- Ease of installation and lightweight
- Standard protection wires
- Easy maintenance

TECHNICAL SPECIFICATIONS:

Sizes : 50 mm (2") - 300 mm (12")

Material : Aluminum - Carbon Steel - Stainless Steel

Flang : ANSI/ DIN

**Flame Arrester: Standard AISI 316 L
Crimped Ribbon**

TEL: +90 216 361 65 18

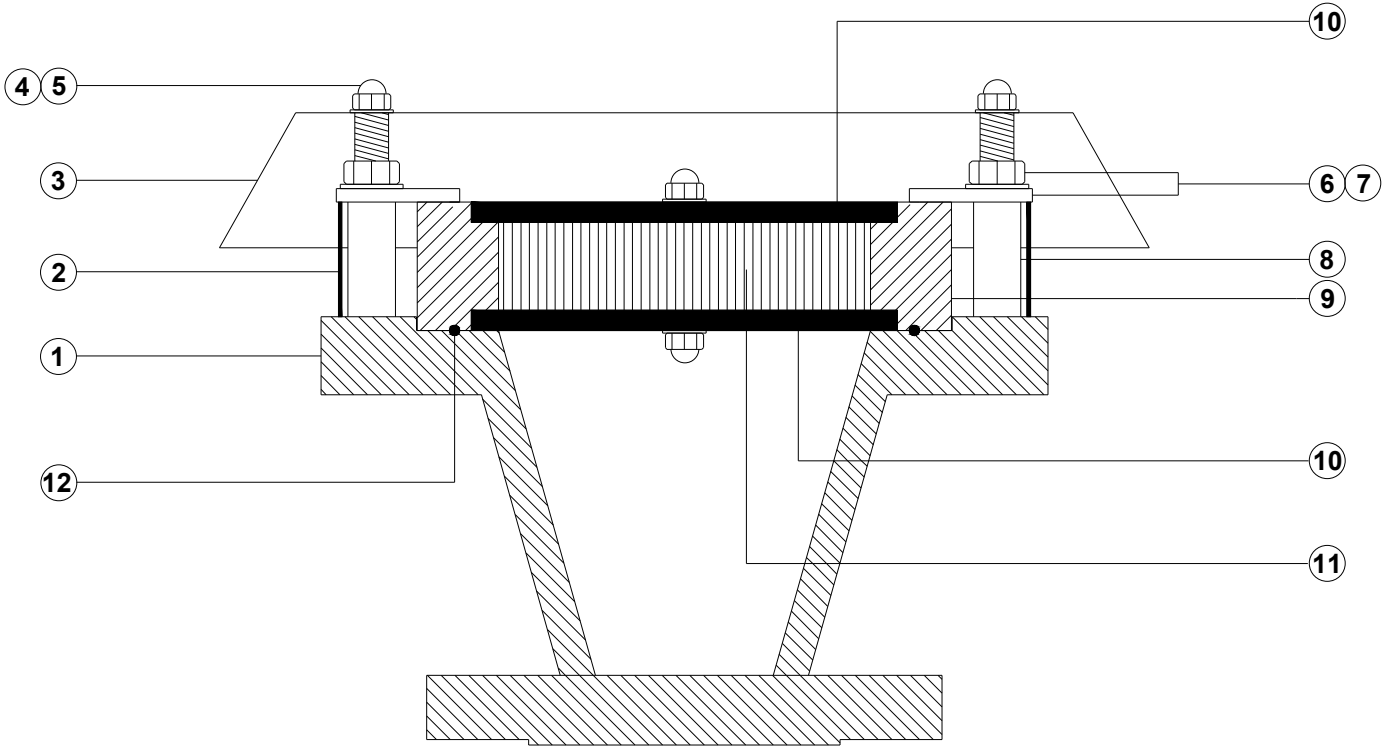
EMAIL: vento@vento.com.tr

VENTO PV
ENDÜSTRİYEL VALF SAN. ve
TİCARET LTD. ŞTİ.

VENTO MODEL 3100

VENTO MODEL 3100 END-OF-LINE FLAME ARRESTER

VENTO MODEL 3100



STANDARD MATERIALS OF CONSTRUCTION

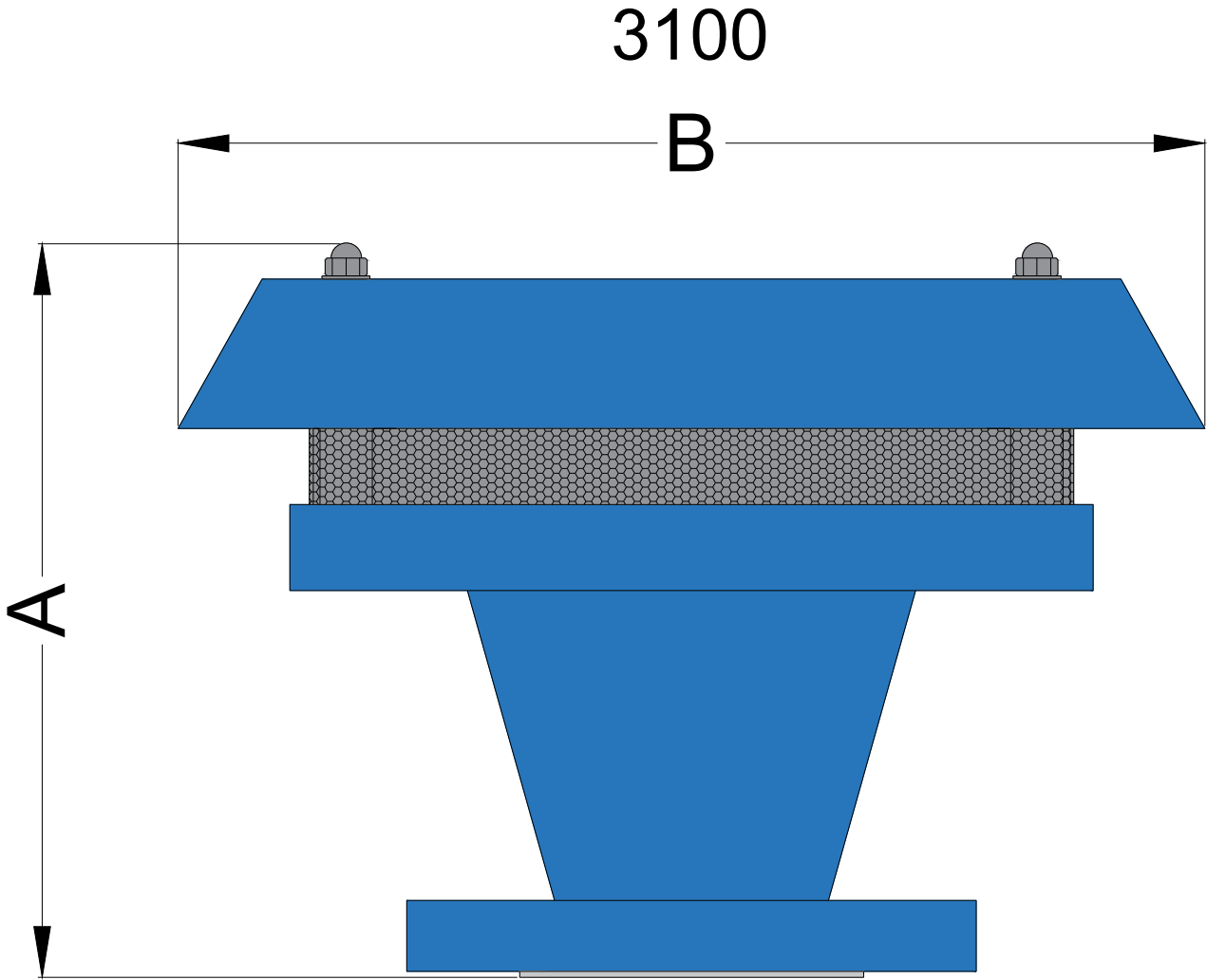
ITEM	DESCRIPTION	PART LIST
1	BODY	AL-CS-SS
2	WEATHER SCREEN	AISI 316 L
3	WEATHER HOOD	AL-CS-SS
4	WASHER	AISI 304
5	CAP NUT	AISI 304
6	STOPER	AISI 316
7	NUT	AISI 304
8	STUD	AISI 316
9	FLAME ARRESTER HOUSING	AL-CS-SS
10	FLAME ARRESTER RING	AISI 316 L
11	FLAME ARRESTER	AISI 316 L
12	ORING	NEOPREN/VITON

TEL: +90 216 361 65 18

EMAIL: vento@vento.com.tr

VENTO MODEL 3100

VENTO MODEL 3100 END-OF-LINE FLAME ARRESTER



DIMENSIONS

INCHES	DN	A	B
2	50	190	275
3	80	220	320
4	100	250	390
6	150	320	510
8	200	365	620
10	250	380	730
12	300	390	840

TEL: +90 216 361 65 18

EMAIL: vento@vento.com.tr



VENTO PV
ENDÜSTRİYEL VALF SAN. ve
TİCARET LTD. ŞTİ.